

Product: Food-tray

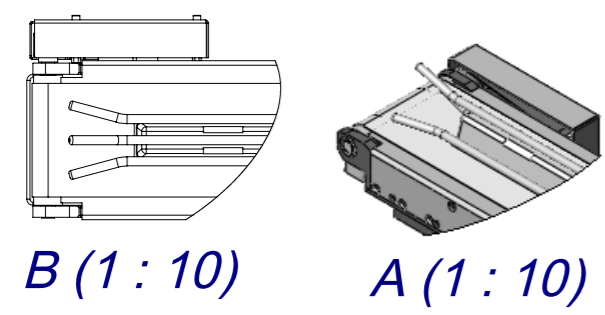
The cover must be perfect mounted

max. Speed: 90...100bands/min.  
 (45...50 bands/min per US-2000  
 Speed dependent on products and infeed

Pneum. connection: 6bar (50NL/min)  
 Electr. connection: 230V, 50Hz  
 Color : RAL5012 (ATS-blue)

Ursprungslayout: L-199110-04A  
 Zusammenstellung: 75 191005

Subject to change without notice

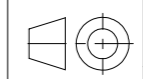


**Approved by customer**  
 Name:.....  
 Date:.....  
 Signature:.....

**US-2000 PIC-CB Dual-System**  
**US-2000 PIC-CB Dual-System**  
 Teile Nr.: 750210



CH-6300 Zug  
 Switzerland



Masstab	Gezeichnet	GU	05.02.2015
1:40	Geprüft		
	Status	In Konstruktion	
Zeichnungsnummer :			Index
KL-75 191005			-
Blatt 1 von 1			Format A3